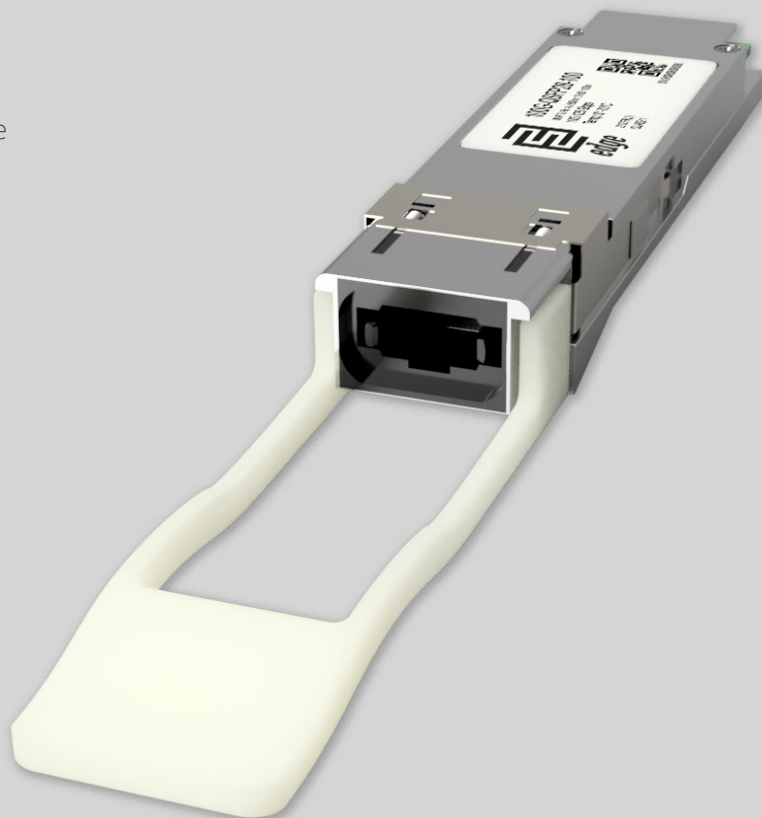


Key Highlights:

- **Type:** 100GBASE-SR4 QSFP28
- **Compatibility:** Multi-Vendor MSA Compatible
- **Tx/Rx Wavelength:** 850nm
- **Laser:** VSCEL
- **Fiber Type:** Multi-Mode Fiber (MMF)
- **Connectors:** MTP/MPO
- **Optical Budget:** 1.9 dB
- **Max. Distance:** 100 m (OM4) / 70 m (OM3)
- **Data Rate:** 103.125 Gbps
- **DDM/DOM:** Supported
- **Power Consumption:** ≤ 3.5W
- **Temperature:** Standard 0°-70°C



Optical Transceiver : 100G-QSFP28-100

Product Description:

100G-QSFP28-100 is Multi-Vendor MSA Compatible 100GBASE-SR4 QSFP28 (Quad Small Form-Factor Pluggable 28) Transceiver designed for operation over multi-mode optical fiber. Module has minimum guaranteed optical budget of 1.9 dB, which in most cases is enough to reach 100 m over OM4 multi-mode fiber, or 70 m over OM3 multi-mode fiber. However, distance is just indicative parameter calculated for comfort of identification. Eventually we calculate distance taking in account minimal optical budget and average attenuation of optical cabling in industry. 100G-QSFP28-100 uses 25Gb/s VSCEL (Vertical Cavity Surface Emitting Laser) (850 nm) transmitters and 25Gb/s PIN photodiode receivers. Module support DDM/DOM optical diagnostics, which provide diagnostic information about the present operating conditions. 100G-QSFP28-100 operates in standard 0°-70°C temperature range and has MTP/MPO connector. 100GBASE-SR4 QSFP28 support up to 103.125 Gbps data rate and such applications as 100G Ethernet (103.125 Gbps). 100G-QSFP28-100 optical transceiver is multi-purpose module which can be used in various scenarios in today's networking environment. Most popular applications are Internet Service Provider (ISP), Mobile Operator and Data Center Core Networks.



Transceiver is CE/RoHS certified and is compliant with product safety standards. 100G-QSFP28-100 Transceiver is fully compliant to QSFP28 Multi Source Agreement (MSA), IEEE 802.3bm 100GBASE-SR4 standard. Consequently compliance to above standards guarantees that module is compatible and works with majority of networking equipment, where is not implemented special algorithm for protection against third party modules. However – our technical team has accumulated deep expertise in custom-encoded firmware's for 100GBASE-SR4 QSFP28 transceiver in order to make it work in almost any brand equipment. We will be glad to know your requirements.

Product Specification:

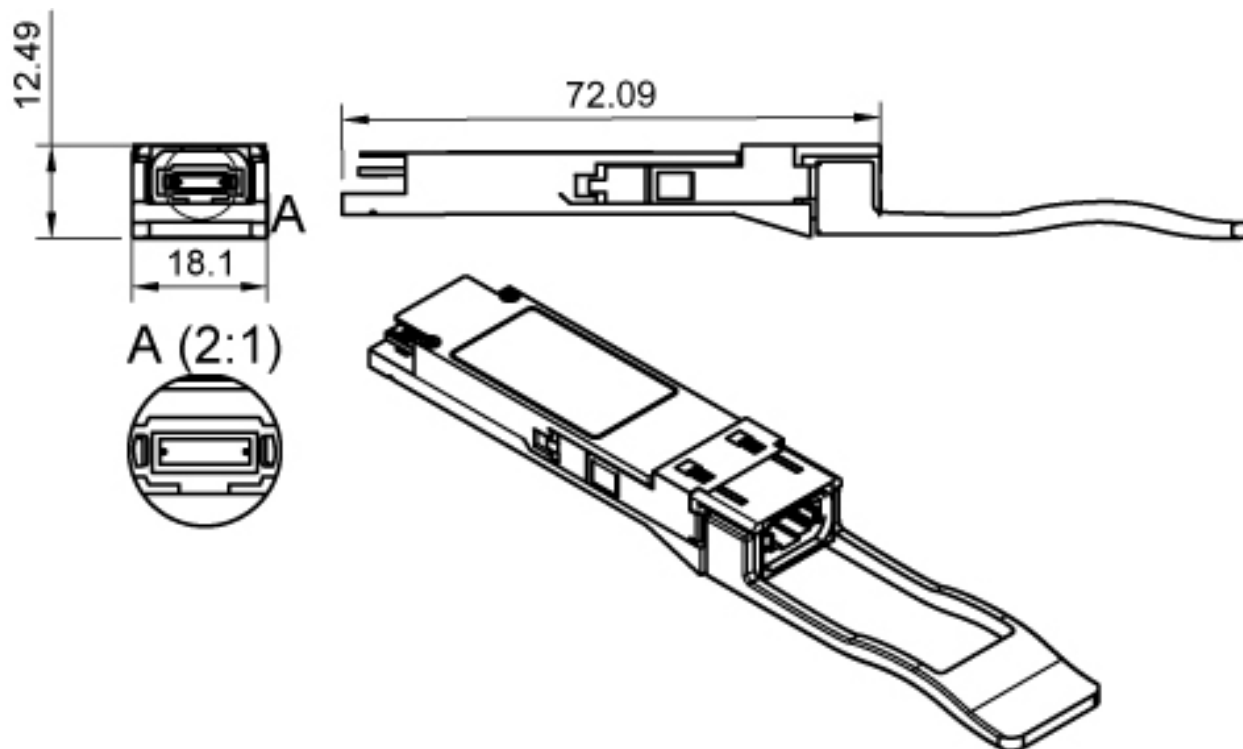
General parameter	Value
Media Type:	4 Lanes of MMF
Connectors:	MTP/MPO
TX Wavelength:	850 nm
RX Wavelength:	850 nm
Minimum Optical Budget:	1.9 dB
Maximum Distance:	100 m (OM4) / 70 m (OM3)
Supported Data Rate:	103.125 Gbps
Data Rate, each Lane up to:	25.78125 Gbps
Supported Applications:	100G Ethernet (103.125Gbps)
Digital Diagnostic Monitoring (DDM):	Supported
Optical Clock And Data Recovery (CDR):	Supported
Operating Temperature Range:	Standard 0°-70°C
Storage Temperature Range:	- 40° to 85°C
Relative Humidity (Non-Condensation):	0 to 85%
Power Consumption:	≤ 3.5W
Power Supply Voltage Typical:	+ 3.3V
Power Supply Voltage Range:	-3.135 to 3.465V
Chipset:	Macom, Sumitomo, Samtech, Oclaro, Avago, II-IV
Compliance:	QSFP28 MSA, 802.3bm 100GBASE-SR4, IEEE 802.3bm, SFF-8636, SFF-8665, CE, RoHS-6, Class 1 FDA, IEC60825-1 Laser Safety Compliant



Transmitter Parameters:	Value
Transmitter Type:	VSCSEL Laser
Tx Wavelength Bandwidth:	20 nm (840-860 nm)
Average Launch Power (Min) Each Lane:	- 8.4 dBm
Average Launch Power (Max) Each Lane:	2.4 dBm
Optical Modulation Amplitude OMA (Min) Each Lane:	- 6.4 dBm
Optical Modulation Amplitude OMA (Max) Each Lane:	3.0 dBm
Difference in Launch Power between any Two Lanes OMA(Max):	4.0 dB
Launch Power in OMA minus TDEC (Min) Each Lane:	- 7.3 dBm
Transmitter and Dispersion Eye Closure (Max) Each Lane:	4.3 dB
Extinction Ratio (Min):	3 dB
Optical Return Loss Tolerance (Max):	12 dB
Average Launch Power OFF Transmitter (Max) Each Lane:	- 30 dBm
Receiver Parameters:	Value
Receiver Type:	PIN photodiode
Rx Wavelength Bandwidth:	20 nm (840-860 nm)
Average Receiver Sensitivity (Min) Each Lane:	- 10.3 dBm
Average Receiver Sensitivity (Max) Each Lane:	2.4 dBm
Receiver Overload:	3.4 dBm
Receiver Reflectance (Max) Each Lane:	- 12 dB
Receive Power OMA (Max) Each Lane:	3.0 dBm
Receiver Sensitivity OMA (Max) Each Lane:	- 9.2 dBm
Stressed Receiver Sensitivity OMA (Max) Each Lane:	- 5.2 dBm
LOS Assert (Min):	- 30 dBm
LOS De-assert (Max):	- 12 dBm
LOS Hysteresis (Min):	0.5 dB



Mechanical Dimensions:



Compatibility:

EDGE Optical transceivers can be provided with custom-encoded firmware, in order to provide compatibility with more than 100 vendor brands in data and telecom communications industry:

MS - General MSA
 AD - ADVA
 AL - Alcatel-Lucent
 AR - Arista
 AV - Avaya
 BR - Brocade
 CN - Ciena
 CI - Cisco
 DL - Dell & Force10
 DK - D-Link
 EM - EMC2
 ET - Enterasys

ER - Ericsson
 EX - Extreme Networks
 F5 - F5 Networks
 FO - Fortinet
 FU - Fujitsu
 H3 - H3C
 HI - Hirschmann
 HP* - HP Networking
 HS* - HP Storage
 HU - Huawei
 IB - IBM
 IF - Infinera

IN - Intel
 JU - Juniper Networks
 LI - Linksys
 ML - Mellanox
 ME - Meraki (Cisco)
 MT - MikroTik
 MO - Moxa
 MR - MRV
 NG - Netgear
 NS - NSN
 PA - Palo Alto Network
 QL - Qlogic

RD - RAD
 RU - Ruijie Networks
 SM - Supermicro
 SY - Synology
 TC - Telco Systems
 TP - TP-LINK
 TN - Trendnet
 WG - WatchGuard
 ZT - ZTE
 XX - Other



Warranty:

EDGE Optic's provides a limited warranty for **sixty (60)** months from Purchaser's receipt of the Equipment represented in this data sheet against defective design or workmanship.

