

Key Highlights:

- Type: SFP+
- Compatibility: Multi-Vendor MSA Compatible
- Tx/Rx Wavelength: 1490nm/ 1310nm
- Media type: Single-Mode Fiber (SMF)
- Optical Budget: 29.5 dB
- Max. Distance: 20 km
- Data Rate: D:2.488Gbps/ U:1.244Gbps
- Temperature: Standard 0°-70°C



Optical Transceiver : 2.5GPON-SFP-B

Product Description:

2.5GPON-SFP-B is a Multi-Vendor MSA Compatible GPON-OLT-CLASS B+ transceiver, operating over Single-Mode Fiber (SMF) optical cable. It has minimum guaranteed optical budget of 29.5 dB, with in most cases is enough to reach the 20km distance. However, distance is just indicative parameter calculated for comfort of identification – eventually we calculate distance taking in account minimal optical budget and average attenuation of optical cabling in industry. This transceiver uses top quality DFB Laser transmitter with operating at nominal wavelength 1490 nm and 1310 nm APD Photodiode receiver. The GPON OLT transceiver supports DDM/DOM optical diagnostics, with provide diagnostic information about the present operating conditions. Module operates in a Standard 0°-70°C temperature range and has Single SC interface. SFP+ supports an upstream 1.244Gbps and downstream 2.488Gbps data rate and such applications as the GEM Encoding (GPON encapsulation method). Single Fiber optical transceiver is a multi-purpose module used in number of different places of today's networking. Consequently, most popular applications are Internet Service Provider (ISP) Fiber to The Home access networking equipment.



Our 2.5GPON-SFP-B transceiver is CE/RoHS certified and it is Compliant with product safety standards. The GPON OLT Transceiver is fully compliant to SFP+ Multi Source Agreement SFF-8074i standard. Consequently, it means that the GPON-OLT-CLASS B+ transceiver module is compatible with 80% of networking equipment, where is not implemented a special algorithm for protection against third party modules. However – we can provide SFP+ transceiver with custom-encoded firmware in order to make it work almost in any equipment. Therefore, we will be glad to know what your requirement is. Because our focus is providing top quality service, we are performing serious quality checks before delivery of our products. As a result, we do optical parameter measurements, connector cleanliness tests and SFP+ transceiver EEPROM memory data validation tests. For any inquiries – Contact Us!

Product Specification:

General parameter	Value
Media Type:	Single-Mode Fiber (SMF)
Connectors:	Single SC
TX Wavelength:	1490 nm
RX Wavelength:	1310 nm
Minimum Optical Budget:	29.5 dB
Maximum Distance:	20km
Supported Data Rate:	D:2.488Gbps/ U:1.244Gbps
Supported Applications:	GEM Encoding
Digital Diagnostic Monitoring (DDM):	Supported
Operating Temperature Range:	Standard 0°- 70°C
Storage Temperature Range:	- 40° to 85°C
Relative Humidity (Non-Condensation):	5 to 95%
Power Consumption:	1.65 W
Power Supply Voltage Range:	-3.135 to 3.465V
Compliance:	FCC 47 CFR Part 15, Class B, FDA 21 CFR 1040.10 and 1040.11, ITU-T G.984.2, RoHS-6, SFP Multi-Source Agreement (MSA) SFF-8074i, TR-NWT-000870 4.1 ESD sensitivity classification, Class 1 FDA and IEC60825-1 Laser Safety Compliant, SFF-8472, Telecordia GR-20

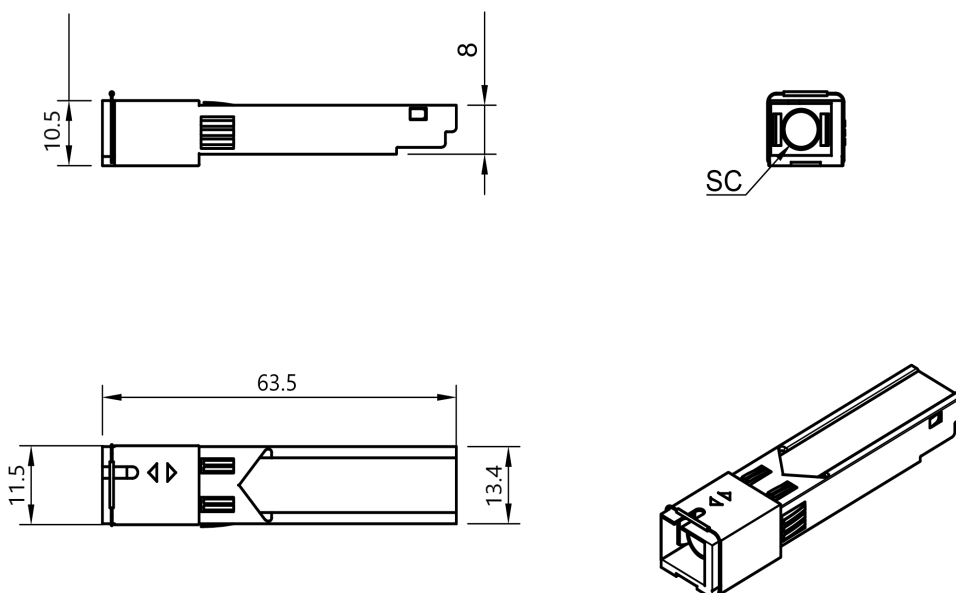


Transmitter Parameters:	Value
Transmitter Type:	DFB Laser
Tx Wavelength Bandwidth:	20nm (1480 – 1500 nm)
Minimum Transmitting Power:	1.5 dBm
Maximum Transmitting Power:	5 dBm
Extinction Ratio (Min):	8.2 dB
Transmitter Reflectance:	-10 dB

Receiver Parameters:	Value
Receiver Type:	APD Photodiode
Rx Wavelength Bandwidth:	100 nm (1260-1360 nm)
Receiver Sensitivity:	-28 dBm
Receiver Overload:	-8 dBm
Receiver Reflectance:	-15 dB



Mechanical Drawing



Compatibility:

EDGE Optical transceivers can be provided with custom-encoded firmware, in order to provide compatibility with more than 100 vendor brands in data and telecom communications industry:

MS - General MSA
AD - ADVA
AE - Advantech
AL - Alcatel (Nokia)
AT - Allied Telesis
AR - Arista
AS - Arris
AV - Avaya
BC - Barracuda
BR - Broadcom
QL - Cavium (Qlogic)
CR - Ceragon
CP - Checkpoint
CH - Chelsio
CN - Ciena
CI - Cisco
LI - Cisco (Linksys)
CE - Comnet
CO - Coriant
DH - Dahua
DC - DCN
DL - Dell & Force10
DK - D-Link

DZ - DZS(Dasan-Zhone)
EI - ECI
EC - EdgeCore
EW - EdgeWare
EL - Eltex
EM - EMC2
EN - Enterasys
ER - Ericsson
EF - EXFO
EX - Extreme Networks
F5 - F5 Networks
FI - Finisar
FO - Fortinet
FU - Fujitsu
H3 - H3C
HI - Hirschmann
HU - Huawei
IB - IBM
IF - Infinera
IN - Intel
IX - Ixia
JU - Juniper Networks
KM - KeyMile

KY - KyLand
LN - Lenovo
ML - Mellanox
ME - Meraki (Cisco)
MT - MikroTik
MO - Moxa
MR - MRV
NC - NEC
NG - Netgear
NK - Nokia
NT - Nortel
NS - NSN
OR - Oracle
PA - Palo Alto Network
PL - Planet
QC - QCT(Quanta)
QN - QNAP
RD - RAD
RW - RadWare
RC - Raisecom
RK - Ruckus
RU - Ruijie Networks
SG - Samsung

SV - Sandvine
SC - Silicom
SF - SolarFlare
SW - Sonicwall
SM - Supermicro
SY - Synology
TC - Telco Systems
TP - TP-LINK
TN - Trendnet
UN - Ubiquiti Networks
VX - VeEx
WG - WatchGuard
WS - Waystream
WT - Westermo
ZT - ZTE
ZX - Zyxel
HP - HP
AG - Avago
OC - Oclaro
EU - Emulex
TM - Transmode
AU - HP Aruba
XX - Other



Warranty:

EDGE Optic's provides a limited **warranty for sixty (60) months** from Purchaser's receipt of the Equipment represented in this data sheet against defective design or workmanship. Warranty does not cover damage caused by improper deployment, misuse and accidents.

