

400G-QSFP112-50

Optical Transceivers



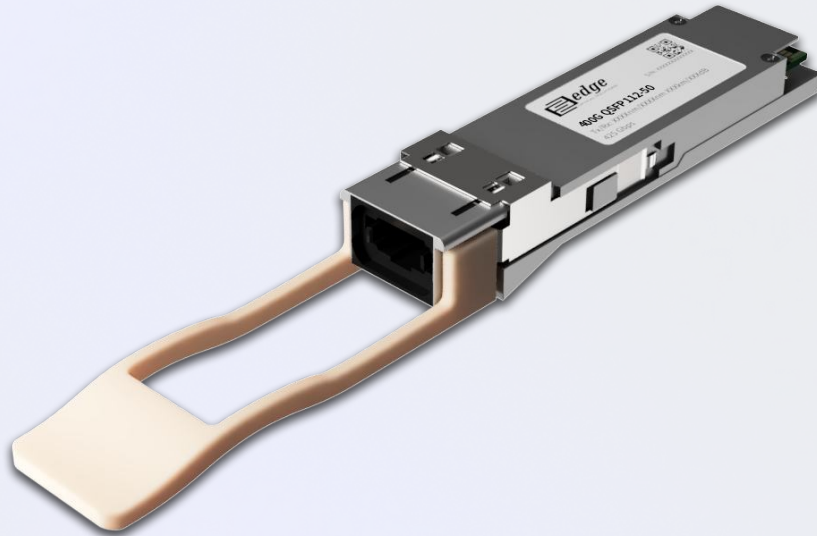
$\lambda = 850 \text{ nm}$



Fiber Type: OM4



MTP/MPO-12



OB 1.7dB



Max 50 m



FEC



PC ≤ 8W

Product description

400G-QSFP112-50 is a 400GBASE-VR4 Multi-Vendor MSA Compatible QSFP112 (Quad Small Form-Factor Pluggable 112Gbps per lane) Transceiver designed for operation over Multi-Mode Fiber (MMF) optical cable. On the transmission side module converts 4x 100G PAM4 (Pulse-Amplitude Modulation) electrical input channels (each 106.25Gbps) into 4x independent PAM4 optical signal. Module has minimum guaranteed optical budget of 1.7 dB, which in most cases is enough to reach 50 m distance over OM4 multi-mode fiber or 30m over OM3 multi-mode fiber. 400G-QSFP112-50 uses top quality VCSEL (Vertical Cavity Surface Emitting Laser) transmitter and 400Gb/s PIN photodiode receiver. 400G-QSFP112-50 400GBASE-VR4 supports DDM/DOM optical diagnostics that provide real-time diagnostic information about the present operating conditions. 400G-QSFP112-50 operates in Standard 0°-70°C temperature range and has MTP/MPO-12 interface. 400G-QSFP112-50 400GBASE-VR4 QSFP-DD transceiver is CE/RoHS certified and is compliant to QSFP112 Multi Source Agreement (MSA), CMIS 4.0, IEEE 802.3db and IEEE 802.3ck 400 Gbps specification. We will be glad to know your requirements!

Product Specification:

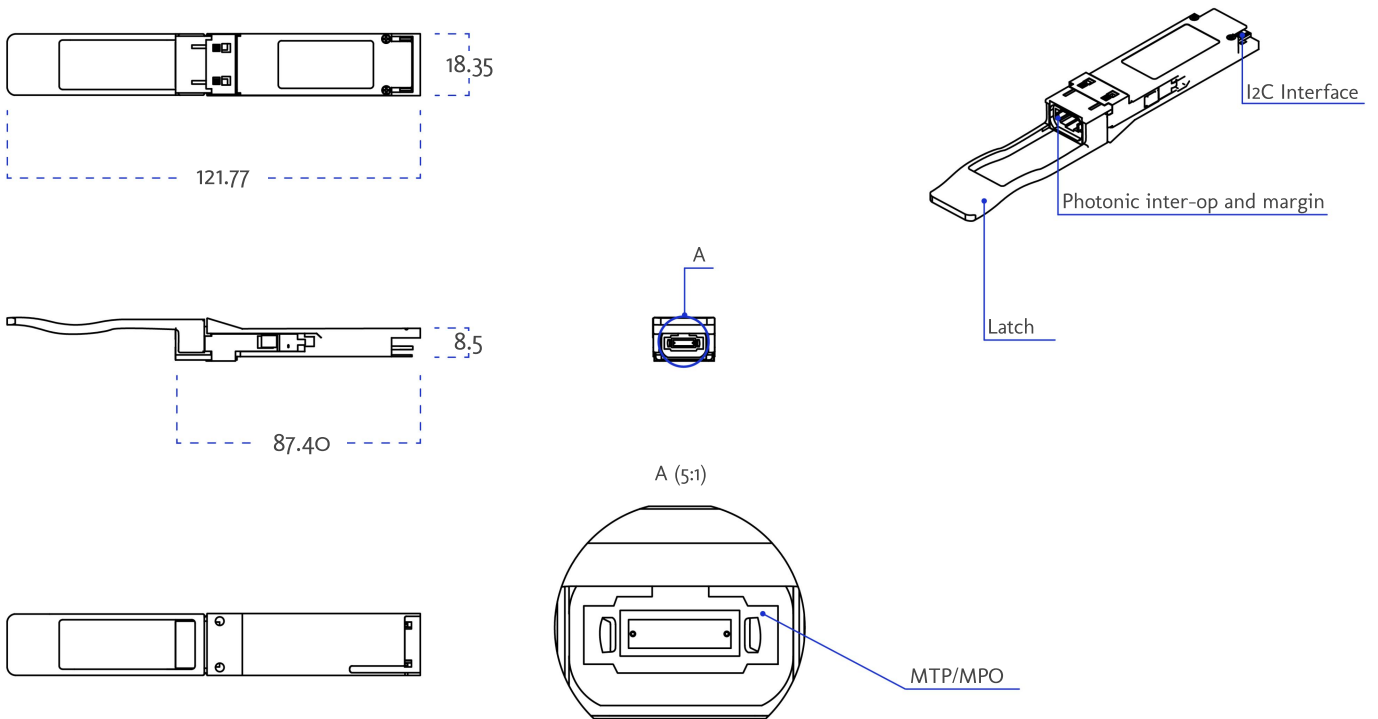
Media Type:	Multi-Mode Fiber (MMF)
Connectors:	MTP/MPO12
TX Wavelength:	850 nm
RX Wavelength:	850 nm
Minimum Optical Budget:	1.7 dB
Maximum Distance:	30m on OM3, 50m on OM4
Supported Data Rate:	425 Gbps

Product Specification:

Supported Applications:	400G Ethernet
DDM/DOM:	Supported
Forward Error Correction (FEC):	Host FEC Supported
Transmitter Type:	VCSEL
Tx Wavelength Bandwidth:	106 nm
Average Launch Power (Min) Each Lane:	-4.6 dBm
Average Launch Power (Max) Each Lane:	4 dBm
Extinction Ratio (Min):	2.5 dB
Receiver Type:	PIN
Rx Wavelength Bandwidth:	106 nm
Avg Receiver Sensitivity(Min)Each Lane:	-6.3 dBm
Avg Receiver Sensitivity(Max)Each Lane:	4 dBm
Receiver Overload:	5 dBm
Temperature Range:	Standard 0°-70°C
Storage Temperature:	-40° to 85°C
Relative Humidity:	0 to 85%
Power Consumption:	≤ 8W
Power:	3.3V
Compliance:	QSFP112 MSA V2.0, CMIS 4.0, 100G Lambda MSA, 400GBASE-VR4, IEEE 802.3db, IEEE 802.3ck, RoHS-6, CE

Mechanical Dimensions

*The dimensions are given in millimetres [mm]



Warranty

EDGE Optic's provides a limited warranty for **sixty (60) months** from Purchaser's receipt of the Equipment represented in this data sheet against defective design or workmanship.



EDGE Technologies Ltd.
Plienciema Street 33, Marupe,
Latvia, LV-2167

+371 22084457
www.edgeoptic.com
sales@edgeoptic.com

