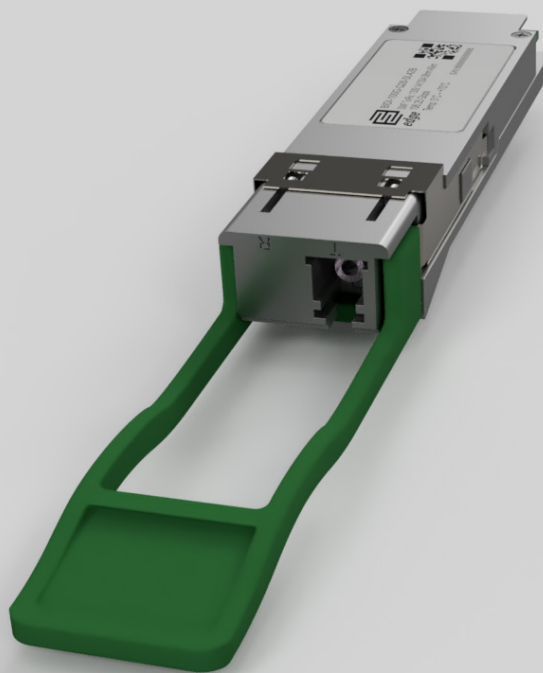


## Key Highlights:

- **Type:** BIDI 100G ER1 QSFP28
- **Compatibility:** Multi-Vendor MSA Compatible
- **Tx/Rx Wavelength:** 1309.14nm / 1304.58nm
- **Laser:** EML Laser
- **Modulation:** PAM4
- **Fiber Type:** Single-Mode Fiber (SMF)
- **Connector:** Simplex LC
- **Optical Budget:** 17.7 dB
- **Max. Distance:** 40 km
- **Data Rate:** 106.25 Gbps
- **Forward Error Correction:** Supported
- **DDM/DOM:** Supported
- **Power Consumption:** ≤4.5 W
- **Temperature:** Standard 0°-70°C



## Optical Transceiver : BIDI-100G-Q28-SL42B

### Product Description:

BIDI-100G-Q28-SL42B is a B side 100G BIDI ER1 Multi-Vendor MSA Compatible Bidirectional QSFP28 (Quad Small Form-Factor Pluggable 28) Transceiver designed for operation over Single-Mode Fiber (SMF). BIDI 100G ER1 QSFP28 has a built in BIDI 100G PAM4 (Pulse Amplitude Modulation 4-level) DSP (Digital Signal Processor) based gearbox used to convert four electrical interface lanes 4x25Gbps (CAUI-4) NRZ to one 50Gbaud (100Gbps) PAM4 signal lane. FEC (Forward Error Correction) block is also integrated in the DSP unit.

100G BIDI ER1 PAM4 A side module has a minimum guaranteed optical budget of 17.7 dB, which in most cases is enough to reach 40km over single-mode fiber with RS((544,514) FEC enabled on the host device. 100G BIDI ER1 uses 1 channel 106.25 Gbps EML (External Modulation Laser) 1309.14 nm transmitters and 1 channel 106.25 Gbps PIN 1304.58 nm photodiode receivers. Module supports DDM/DOM optical diagnostics. 100G BIDI ER1 QSFP28 operates in the standard 0°-70°C temperature range and has a Single LC optical connector. 100G BIDI ER1 QSFP28 Side B module supports 106.25 Gbps data rate and such applications as 100G Ethernet.



100G BIDI ER1 QSFP28 Side B transceivers are widely used in Cisco, HP, Juniper, Huawei and other industry well known manufacturers equipment. Transceivers are CE/RoHS certified and are compliant with product safety standards. BI-DI-100G-Q28-SL42B transceiver is fully compliant to QSFP28 Multi Source Agreement (MSA), 100G Lambda MSA, where IEEE 802.3cu defines physical layer specifications CAUI-4 electrical interface, SFF-8679 defines QSFP+ 4X Hardware and Electrical Specification but SFF-8636 Rev 2.10a defines Management Interface for 4-lane Modules. Consequently, compliance to above standards guarantees that module is compatible and works with majority of networking equipment, where is not implemented special algorithm for protection against third party modules.

## Product Specification:

General parameter	Value
Media Type:	Single-Mode Fiber (SMF)
Connectors:	Single LC
TX Wavelength:	1309.14 nm
RX Wavelength:	1304.58 nm
Minimum Optical Budget:	17.7 dB
Maximum Distance:	40km
Supported Data Rate:	106.25 Gbps
Modulation:	PAM4 (Pulse Amplitude Modulation 4-level)
Supported Applications:	100G Ethernet (106.25 Gbps)
Digital Diagnostic Monitoring (DDM):	Supported
Forward Error Correction (FEC):	Integrated in DSP
Operating Temperature Range:	Standard 0°- 70°C
Storage Temperature Range:	- 40° to 85°C
Relative Humidity (Non-Condensation):	0 to 85%
Power Consumption:	≤4.5W
Power Supply Voltage Typical:	+ 3.3V
Power Supply Voltage Range:	-3.135 to 3.465V



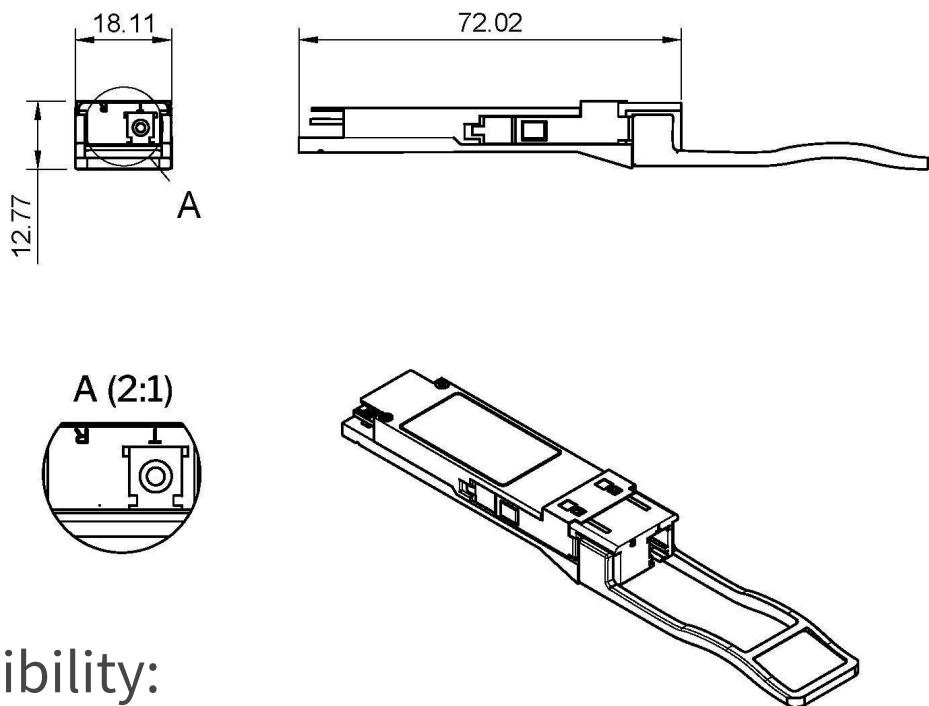
General parameter	Value
Compliance:	100G Lambda MSA, CAUI-4, IEEE 802.3cu, RoHS-6, SFF-8636 Rev 2.10a, SFF-8679, CE

Transmitter Parameters:	Value
Transmitter Type:	Cooled EML TOSA
Tx Wavelength Bandwidth:	1.04 nm
Average Launch Power, Each Lane (Min):	1.5 dBm
Average Launch Power, Each Lane (Max):	7.1 dBm
Extinction Ratio (Min):	6 dB

Receiver Parameters:	Value
Receiver Type:	PIN Photodiode Array
Rx Wavelength Bandwidth:	1.04 nm
Average Receive Power Each Lane (Min):	-16.2 dBm
Average Receive Power Each Lane (Max):	-3.4 dBm
Receiver Overload:	-2.4 dBm



## Mechanical Drawing



## Compatibility:

EDGE Optical transceivers can be provided with custom-encoded firmware, in order to provide compatibility with more than 100 vendor brands in data and telecom communications industry:

**MS** - General MSA  
**AD** - ADVA  
**AE** - Advantech  
**AL** - Alcatel (Nokia)  
**AT** - Allied Telesis  
**AR** - Arista  
**AS** - Arris  
**AV** - Avaya  
**BC** - Barracuda  
**BR** - Broadcom  
**QL** - Cavium (Qlogic)  
**CR** - Ceragon  
**CP** - Checkpoint  
**CH** - Chelsio  
**CN** - Ciena  
**CI** - Cisco  
**LI** - Cisco (Linksys)  
**CE** - Comnet  
**CO** - Coriant  
**DH** - Dahua  
**DC** - DCN  
**DL** - Dell & Force10  
**DK** - D-Link

**DZ** - DZS(Dasan-Zhone)  
**EI** - ECI  
**EC** - EdgeCore  
**EW** - EdgeWare  
**EL** - Eltex  
**EM** - EMC2  
**EN** - Enterasys  
**ER** - Ericsson  
**EF** - EXFO  
**EX** - Extreme Networks  
**F5** - F5 Networks  
**FI** - Finisar  
**FO** - Fortinet  
**FU** - Fujitsu  
**H3** - H3C  
**HI** - Hirschmann  
**HU** - Huawei  
**IB** - IBM  
**IF** - Infinera  
**IN** - Intel  
**IX** - Ixia  
**JU** - Juniper Networks  
**KM** - KeyMile

**KY** - KyLand  
**LN** - Lenovo  
**ML** - Mellanox  
**ME** - Meraki (Cisco)  
**MT** - MikroTik  
**MO** - Moxa  
**MR** - MRV  
**NC** - NEC  
**NG** - Netgear  
**NK** - Nokia  
**NT** - Nortel  
**NS** - NSN  
**OR** - Oracle  
**PA** - Palo Alto Network  
**PL** - Planet  
**QC** - QCT(Quanta)  
**QN** - QNAP  
**RD** - RAD  
**RW** - RadWare  
**RC** - Raisecom  
**RK** - Ruckus  
**RU** - Ruijie Networks  
**SG** - Samsung

**SV** - Sandvine  
**SC** - Silicom  
**SF** - SolarFlare  
**SW** - Sonicwall  
**SM** - Supermicro  
**SY** - Synology  
**TC** - Telco Systems  
**TP** - TP-LINK  
**TN** - Trendnet  
**UN** - Ubiquiti Networks  
**VX** - VeEx  
**WG** - WatchGuard  
**WS** - Waystream  
**WT** - Westermo  
**ZT** - ZTE  
**ZX** - Zyxel  
**HP** - HP  
**AG** - Avago  
**OC** - Oclaro  
**EU** - Emulex  
**TM** - Transmode  
**AU** - HP Aruba  
**XX** - Other



## Warranty:

EDGE Optic's provides a limited **warranty for sixty (60) months** from Purchaser's receipt of the Equipment represented in this data sheet against defective design or workmanship. Warranty does not cover damage caused by improper deployment, misuse and accidents.

