



## 2 Data Channels Double Fiber Passive CWDM 1side OADM DCLT-2-XXYY

### Product Description:

We designed EDGE Optics xWDM Series products to allow easy, gradual, logical and cost efficient expansion of network bandwidth using industry leading passive WDM technology. Main advantage of xWDM is its passive nature – no power supply or cooling necessary, robustness – no special micro-climate requirements and as passive element, it has MTBF 100+ Years. xWDM is – it is fully data rate or line protocol neutral – it is possible to use with colored transceivers supporting such applications as 1G/10G Ethernet, SDH/SONET and 8/4/2/1G Fiber Channel. It's simple to install, requires no configuration or maintenance.

DCLT-2-XXYY is passive 1-side Optical Add-Drop Multiplexer (OADM) package based on Thin-Film Filter (TFF) technology, allowing extract 2 data streams from ITU-T G.694.2 compatible double fiber Coarse Wavelength Division Multiplex (CWDM) link. DCLT-2-XXYY acts as one side termination unit, meaning that link with is extracted in site where DCLT-2-XXYY is installed, is not added towards other side of CWDM link. DCLT-2-XXYY is manufactured as LGX type B module, installed in 19" 1U sub rack fitting any standard equipment rack.

### Key Highlights:

- Line Termination of 2 Links
- Fully Passive: No Power Supply or Cooling
- MTBF: 100+ Years
- Protocol & Data Rate neutral
- Low Insertion Loss - 1.5 dB
- Compact: LGX Type B package
- Easy Installation & Expansion
- 5 Year Warranty

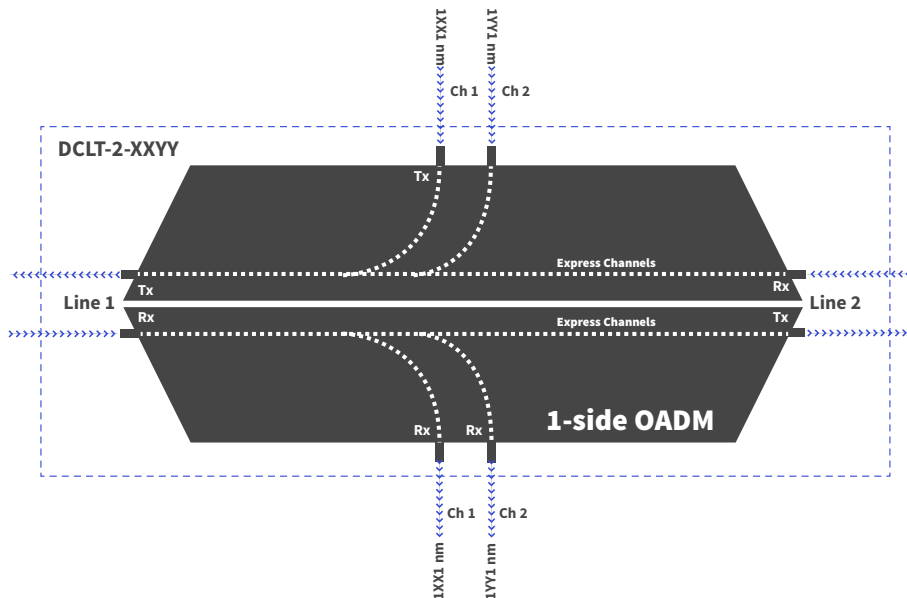


## Product Specification:

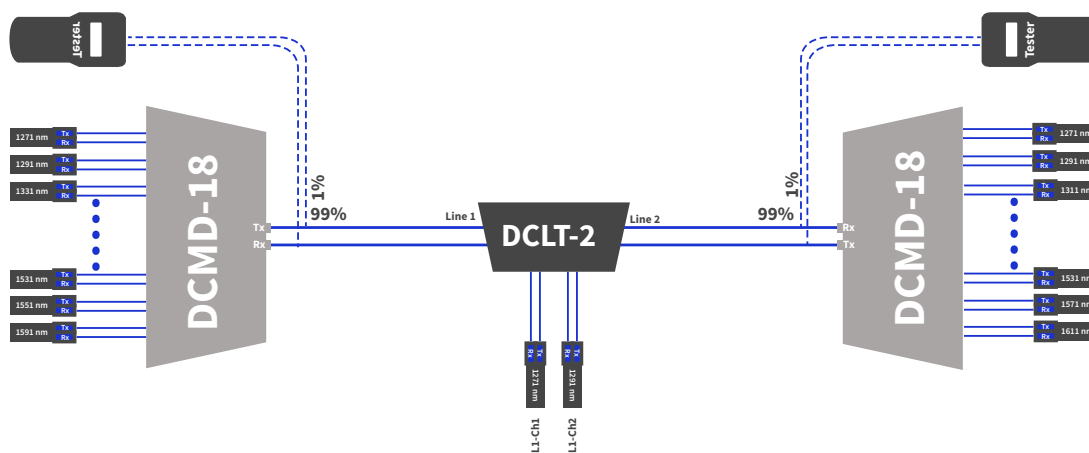
| Parameter                           |                    | Unit  | Value   |
|-------------------------------------|--------------------|-------|---|
| Product Type:                       |                    |       | CWDM One Side (Line Termination) OADM   |
| Number of Data Streams:             |                    |       | 2   |
| Number of Channels                  |                    | Ch    | 2 CWDM Channels According ITU-T G.694.2   |
| Transport Media:                    |                    |       | Double Fiber Single Mode Fiber (SMF)  |
| Operating Wavelengths:              | center             | nm    | 1311nm 1451nm 1591nm<br>1331nm 1471nm 1611nm<br>1351nm 1491nm<br>1371nm 1511nm<br>1391nm 1531nm<br>1411nm 1551nm<br>1431nm 1571nm |
| Filter Technology:                  |                    |       | TFF (Thin Film Filter)  |
| Passband:                           | $\lambda_{center}$ | nm    | $\pm 6.5$ nm  |
| Channel Spacing:                    |                    | nm    | 20 nm   |
| Insertation Loss Add/Drop Channels: | Max                | dB    | 1.5 dB  |
| Insertation Loss Express Channels:  | Max                | dB    | 1.5 dB  |
| Isolation Adjacent Channels:        | Min                | dB    | 30 dB   |
| Isolation Non-Adjacent Channels:    | Min                | dB    | 40 dB   |
| Channel Passband Ripple:            | Min                | dB    | 0.3 dB  |
| Plarization Dependant Los (PDL):    | Max                | dB    | <0.15 dB  |
| Polarization Mode Dispersion (PMD): | Max                | ps/nm | < 0.15 ps/nm  |
| Directivity:                        | Min                | dB    | >50 dB  |
| Return Loss:                        | Min                | dB    | >45 dB  |
| Maximum Power Handling:             | Max                | mW    | < 300 mW  |
| Connectors:                         |                    |       | LC Adapters for use with TIA/EIA 604-10 compliant LC UPC Connectors   |
| Operating Temperature:              |                    | (°C)  | -5~+70 (°C)   |
| Storage Temperature:                |                    | (°C)  | -40~+85 (°C)  |
| Dimensions (W x H x D):             |                    | mm    | 214 x 41.3 x 198  |
| Relative Humidity:                  |                    | %     | 0 - 90%   |
| Compliance:                         |                    |       | ITU-T G.694.2, CE, ISO, RoHS, Telecordia GR-20  |



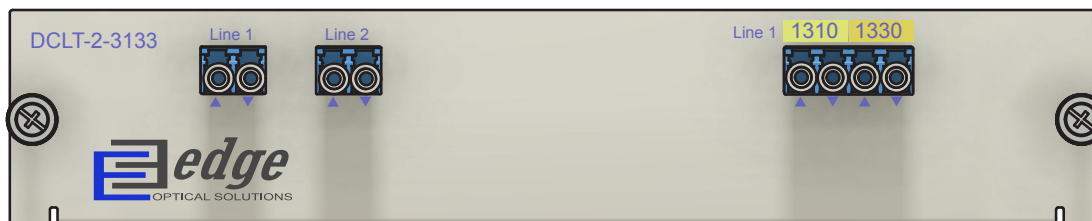
## Functional Diagram:



## Network Diagram:



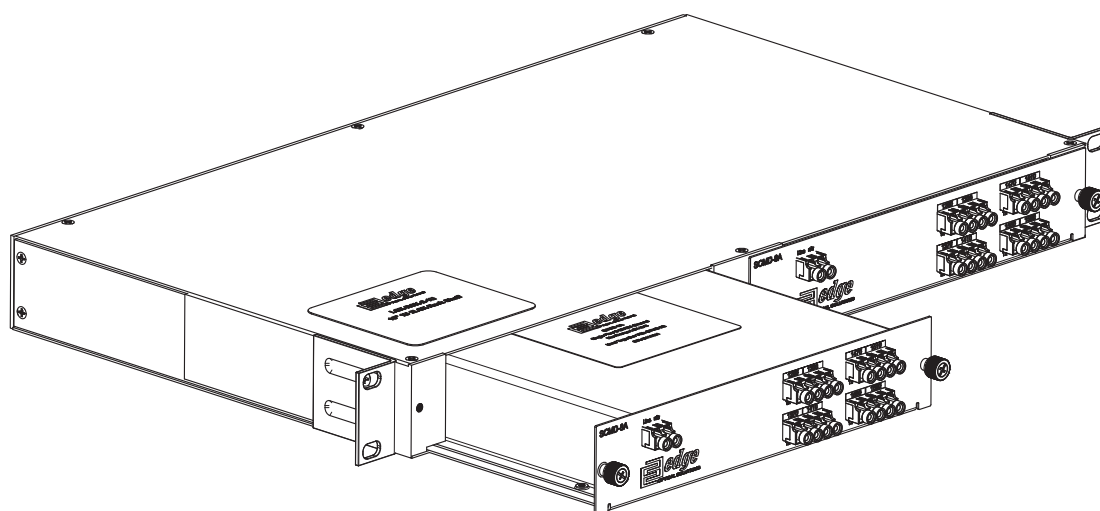
## Front Panel:



Line 1/Line 2: East or West Line interface for common signal

L1-Ch1: CWDM Channel colored add/drop interfaces

## Installation:



In order to install CWDM LGX Module in 19" rack, please order 19" 1U sub-rack supporting up to two LGX modules. Product code **LGX-RCK-2-1U**.

## Warranty:

EDGE Optic's provides a limited warranty for **sixty (60)** months from Purchaser's receipt of the Equipment represented in this data sheet against defective design or workmanship.



## Supported Versions:

| PN          | Description  |
|-------------|--|
| DCLT-2-2729 | Double Fiber 1 side (East or West) OADM Line Termination Unit supporting 2 channels: 1270nm 1290nm |
| DCLT-2-3133 | Double Fiber 1 side (East or West) OADM Line Termination Unit supporting 2 channels: 1310nm 1330nm |
| DCLT-2-3537 | Double Fiber 1 side (East or West) OADM Line Termination Unit supporting 2 channels: 1350nm 1370nm |
| DCLT-2-3941 | Double Fiber 1 side (East or West) OADM Line Termination Unit supporting 2 channels: 1390nm 1410nm |
| DCLT-2-4345 | Double Fiber 1 side (East or West) OADM Line Termination Unit supporting 2 channels: 1430nm 1450nm |
| DCLT-2-4749 | Double Fiber 1 side (East or West) OADM Line Termination Unit supporting 2 channels: 1470nm 1490nm |
| DCLT-2-5153 | Double Fiber 1 side (East or West) OADM Line Termination Unit supporting 2 channels: 1510nm 1530nm |
| DCLT-2-5557 | Double Fiber 1 side (East or West) OADM Line Termination Unit supporting 2 channels: 1550nm 1570nm |
| DCLT-2-5961 | Double Fiber 1 side (East or West) OADM Line Termination Unit supporting 2 channels: 1590nm 1610nm |

