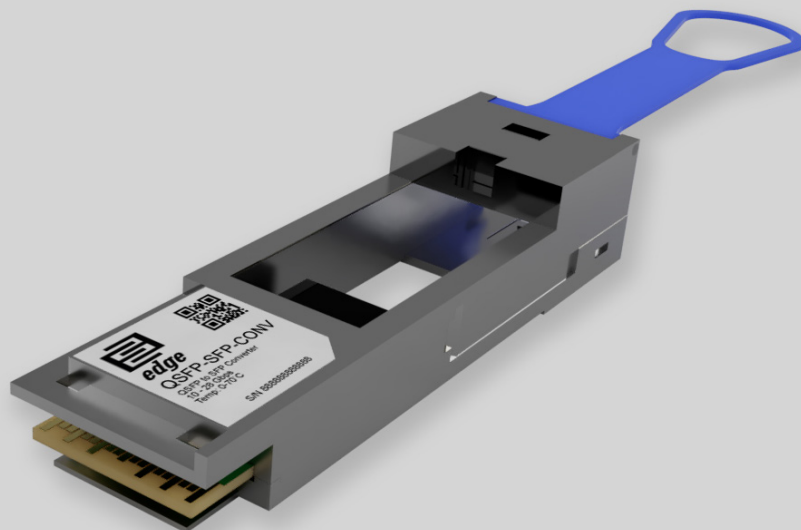


## Key Highlights:

- Type: Adapter QSFP to SFP+
- Power Consumption: Max: 0.25W
- Compliant to SFP+ MSA, QSFP28 MSA, RoHS, CE
- Tx/Rx Wavelength: As SFP+ Module
- Media Type: As SFP+ Module
- Optical Budget: As SFP+ Module
- Max. Distance: As SFP+ Module
- Data Rate: 10G
- Temperature: Standard 0°-70°C
- Hot Pluggable



## Adapter Module: QSFP-SFP-CONV

### Product Description:

EDGE Optics QSFP+ to SFP Converter (QSFP-SFP-CONV) enables smooth transfer from quad-lane port to single lane optical transceiver. It allows cost-effective migration to 10G Ethernet by providing an option to use lower speed SFP+ modules in empty QSFP+ port or when there is a necessity for lower speed connection.

40G QSFP+ port can take QSFP+ optical transceivers. QSFP+ has 4 electrical lanes which can be used as a 4x10GbE, but older standard QSFP+ supports 4 electrical lanes, each transmitting per 4x10GbE speed. Equipment with SFP+ port initially supports SFP+ 10GbE capable optics. The rule is to use same or lower speed optical transceiver in port (basing on what port is capable of).

QSFP+ to SFP+ adapter can be plugged directly into equipment which has 100G QSFP28 port, and in adapter we can insert SFP+ transceiver. SFP+ transceiver will transmit using first lane (10Gbps) from all 40G port four lane setup.

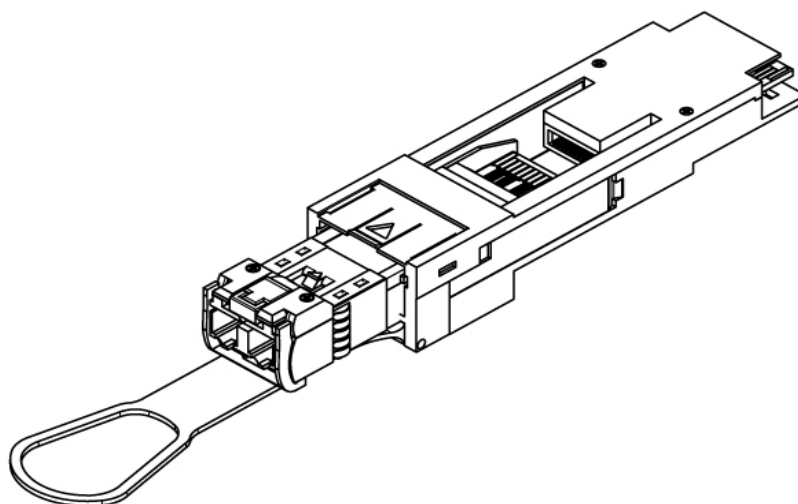
Most popular use cases for QSFP+ to SFP+ (QSFP-SFP-CONV) adapter are in the situation when data-com systems are being upgraded to higher switching capacity equipment. This migration process usually is performed in step by step, node by node manner and sometimes comes to an occurrence when new hardware QSFP+ port is needed to be connected with some older hardware's SFP+ port.



## Product Specification:

Parameter	Value
Media Type:	As inserted SFP+
Tx Wavelength:	As inserted SFP+
Rx Wavelength:	As inserted SFP+
Minimum Optical Budget:	As inserted SFP+
Supported Data Rate:	10.31 Gbps
Supported Applications:	10G Ethernet (10.31Gbps)
DDM/DOM:	Supported
Temperature Range:	Standard 0 to 70°C
Power:	+3.3V single power supply
Power Consumption:	Max 0.25W
Compliance:	RoHS 6 compliant(lead free), CE, QSFP28 MSA, SFF-8436 SFP+ MSA SFF-8431

## Product Drawings:



## Warranty:

EDGE Optic's provides a limited **warranty for sixty (60) months** from Purchaser's receipt of the Equipment represented in this data sheet against defective design or workmanship.

