



4 Data Channels Single Fiber Passive CWDM Mux/Demux SCMD-4A-L

Product Description:

Low-Band 4 Channels Single Fiber Passive CWDM Mux/Demux – SCMD-4A-L is a member of EDGE Optics xWDM Series product line. We designed EDGE Optics xWDM Series products to allow easy, gradual, logical, and cost-efficient expansion of network bandwidth using industry-leading passive WDM technology. The main advantage of xWDM is its passive nature – no power supply or cooling necessary, robustness – no special micro-climate requirements, and as a passive element, it has MTBF 100+ Years. xWDM is fully data rate or line protocol neutral – it is possible to use with colored transceivers supporting such applications as 1G/10G Ethernet, SDH/SONET, and 8/4/2/1G Fiber Channel. It's simple to install and requires no configuration or maintenance.

SCMD-4A-L is a passive multiplexer/De-multiplexer package based on Thin-Film Filter (TFF) technology, designed to organize 4 duplex and parallel protocol independent ITU-T G.694.2 compatible Coarse Wavelength Division Multiplex (CWDM) data streams over single fiber of single mode optical fiber. The unit has LC/UPC connectors. With our focus on providing maximally low insertion loss, SCMD-4A-L is equipped with band-pass or skip filters extending the maximum distance of CWDM connections SCMD-4A-L is manufactured as an LGX-type package, installed in 19" 1U sub-rack fitting any standard equipment rack. SCMD-4A-L is used together with the counterpart SCMD-4B-L module at the other end of the line. SCMD-4A-L is operating in Low-Band and can be used in combination with SCMD-4A-E or SCMD-2A-E, by connecting it to Upgrade ports of these modules.

Key Highlights:

- 4 CWDM Data Streams over Single SMF
- Fully Passive: No Power Supply or Cooling
- MTBF: 100+ Years
- Protocol & Data Rate neutral
- Low Insertion Loss - 2.8 dB
- Band-Pass / Skip filters Installed
- Compact: LGX Type package
- Easy Installation & Expansion
- 5 Year Warranty

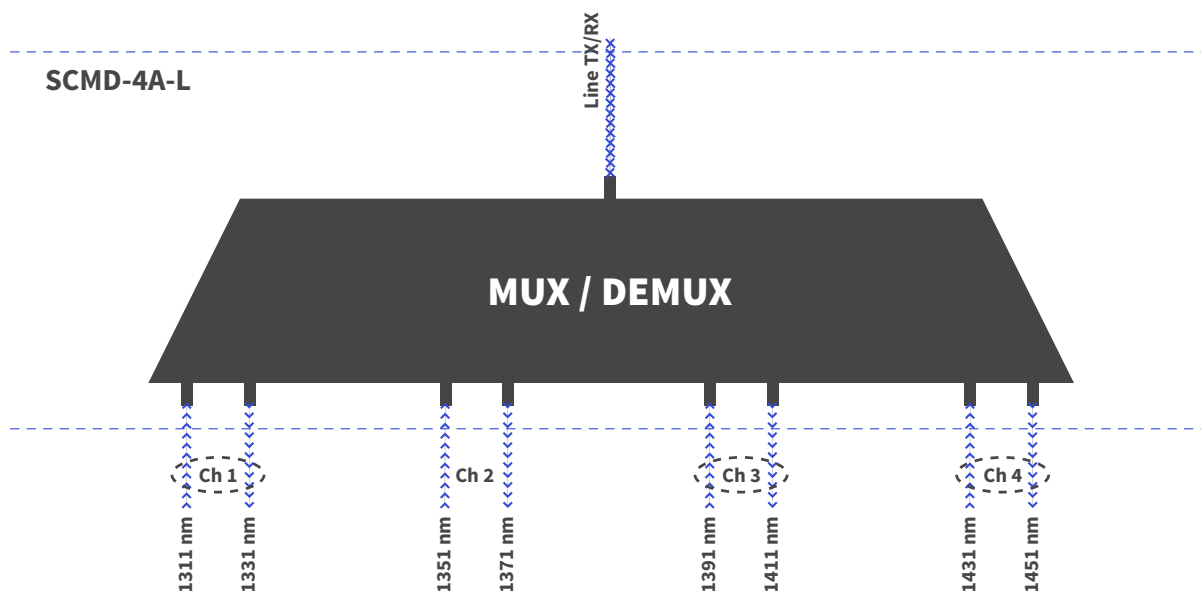


Product Specification:

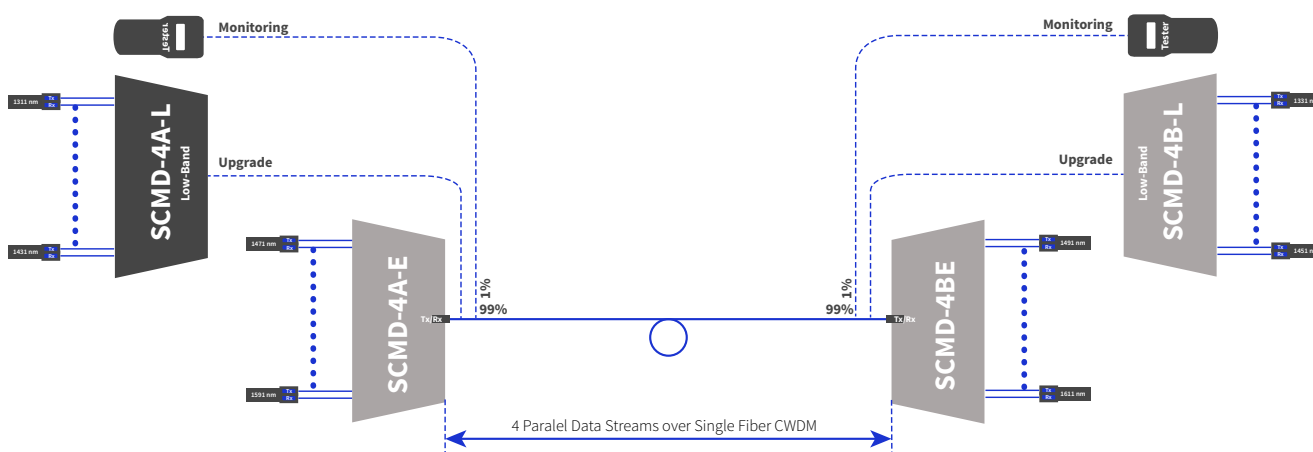
Parameter		Unit	Value
Product Type:			CWDM MUX/DEMUX Unit
Number of Data Streams:			4
Number of Channels		Ch	8 CWDM Channels According ITU-T G.694.2
Transport Media:			Single Fiber Single Mode Fiber (SMF)
Operating Wavelengths:	center	nm	Ch1-Tx:1311nm Ch4-Rx:1451nm Ch1-Rx:1331nm Ch2-Tx:1351nm Ch2-Rx:1371nm Ch3-Tx:1391nm Ch3-Rx:1411nm Ch4-Tx:1431nm
Filter Technology:			TFF (Thin Film Filter)
Passband:	λ_{center}	nm	± 7.5 nm
Channel Spacing:		nm	20 nm
Band-Pass ("Skip") Filters:			Yes
Insertion Loss <small>Passband</small> :	Max	dB	2.8 dB
Isolation Adjacent Channels:	Min	dB	> 30 dB
Isolation Non-Adjacent Channels:	Min	dB	> 40 dB
Channel Passband Ripple:	Min	dB	< 0.3 dB
Polarization Dependant Los (PDL):	Max	dB	≤ 0.1 dB
Polarization Mode Dispersion (PMD):	Max	ps/nm	< 0.1 PS
Directivity:	Min	dB	> 50 dB
Return Loss:	Min	dB	> 45 dB
Maximum Power Handling:	Max	mW	500 mW
Connectors:			LC Adapters for use with TIA/EIA 604-10 compliant LC UPC Connectors
Operating Temperature:		(°C)	-5~+70 (°C)
Storage Temperature:		(°C)	-40~+85 (°C)
Dimensions (W x H x D):		mm	214 x 41.3 x 198
Relative Humidity:		%	0 - 90%
Compliance:			ITU-T G.694.2, CE, ISO, RoHS



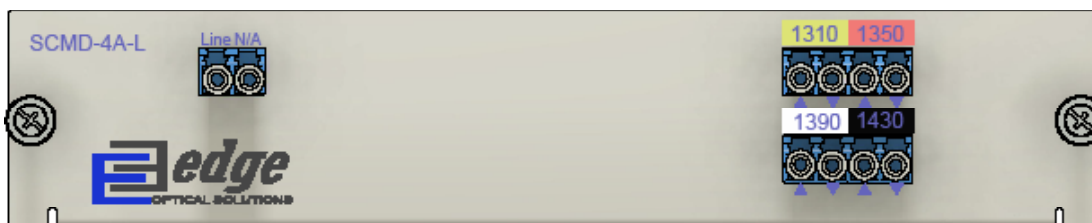
Functional Diagram:



Network Diagram:



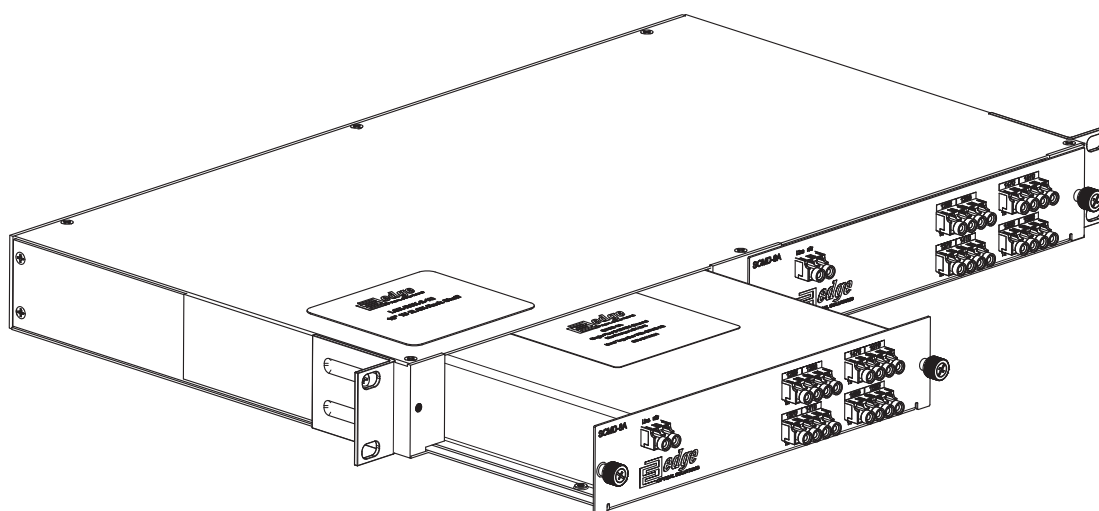
Front Panel:



Line: Line interface for common signal

1270-1610: CWDM Channel colored transceivers interfaces

Installation:



In order to install CWDM LGX Module in 19" rack, please order 19" 1U sub-rack supporting up to two LGX modules. Product code **LGX-RCK-2-1U**.

Warranty:

EDGE Optic's provides a limited warranty for **sixty (60)** months from Purchaser's receipt of the Equipment represented in this data sheet against defective design or workmanship.

